
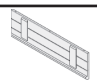
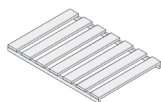




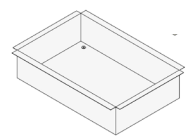
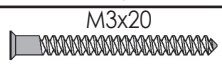
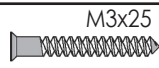


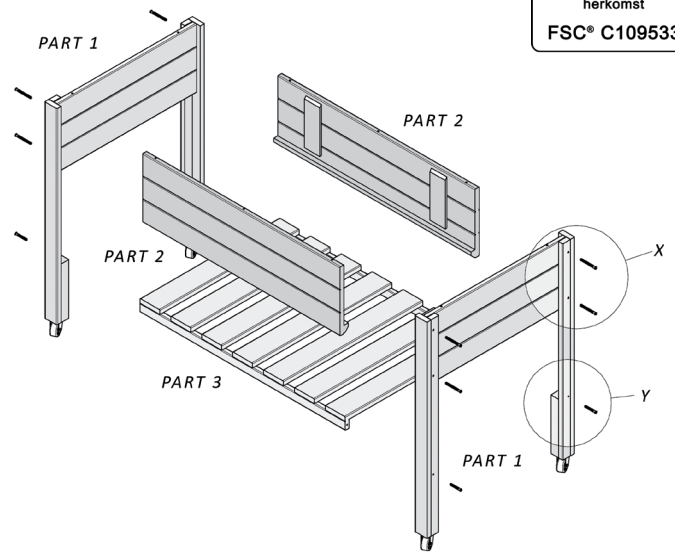
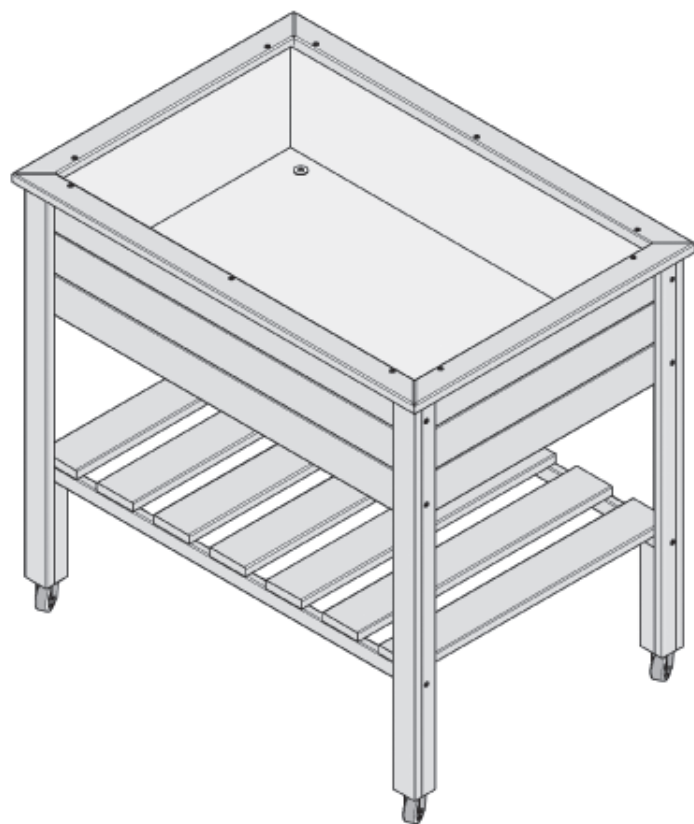
Planter-On-Wheels slim kweken[®]

 **100 L x 70 W x 94 H cm □ RW2606**

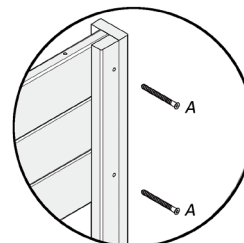
Nr.		x
1		2
2		2
3		1

Nr.		x
4		1
5		6
6		2
7		2

Nr.		x
8		1
A	 M3x20	8
B	 M3x25	14

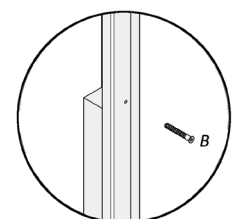


DETAIL X

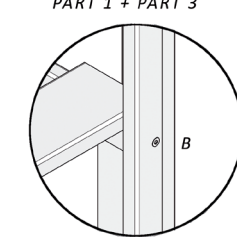
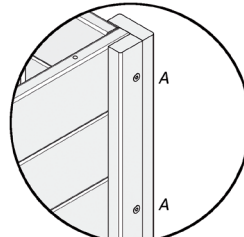


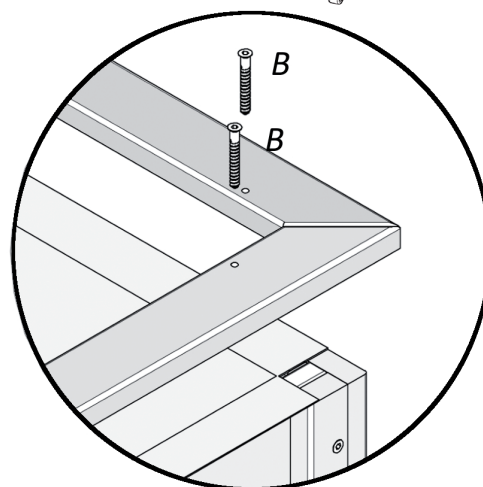
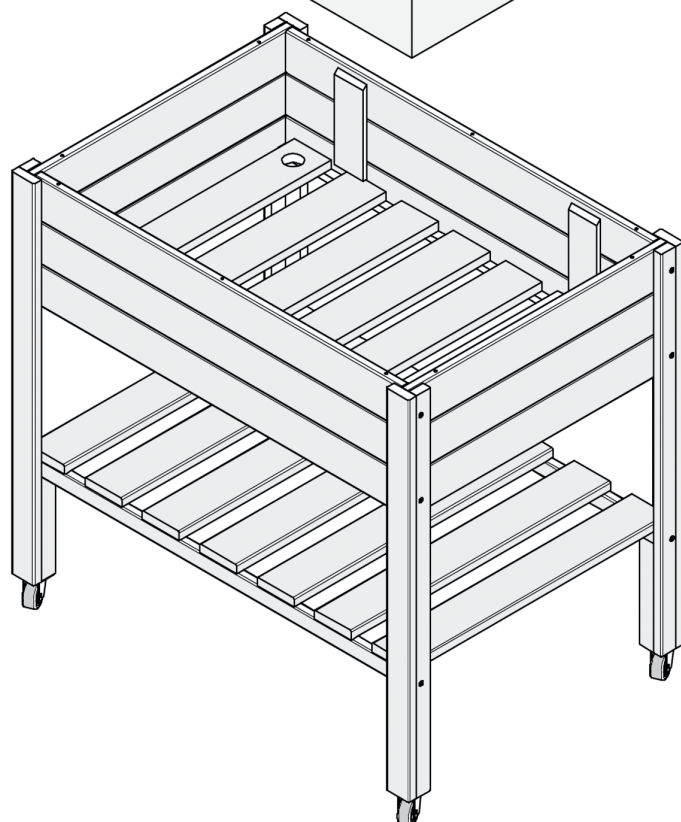
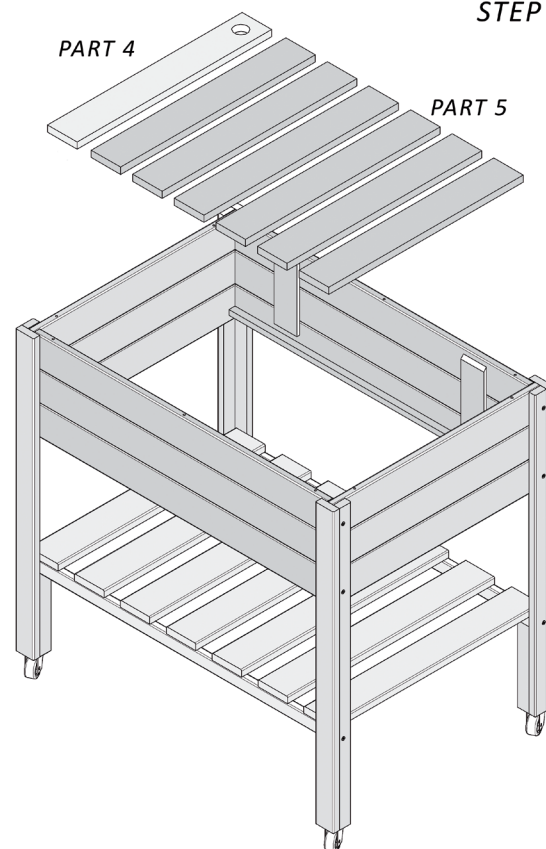
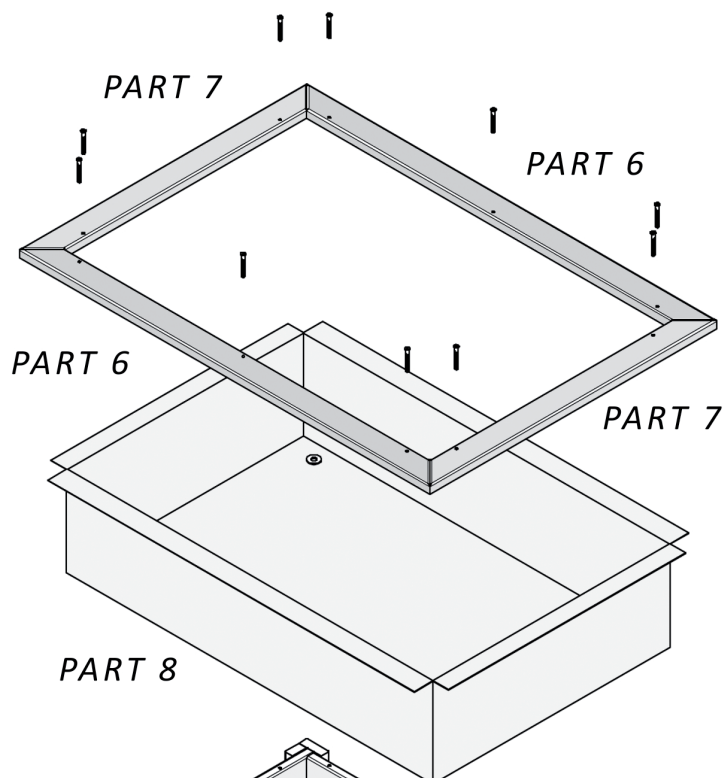
PART 1 + PART 2

DETAIL Y



PART 1 + PART 3





PART 6 + PART 7 + PART 8

